

# CAD files / 3D models for printing

## Nucular controller P24F

[Download STEP](#)



## P24F to surface mount

[Adapter simple STEP+STL](#)

[Adapter with fan STEP+STL](#)

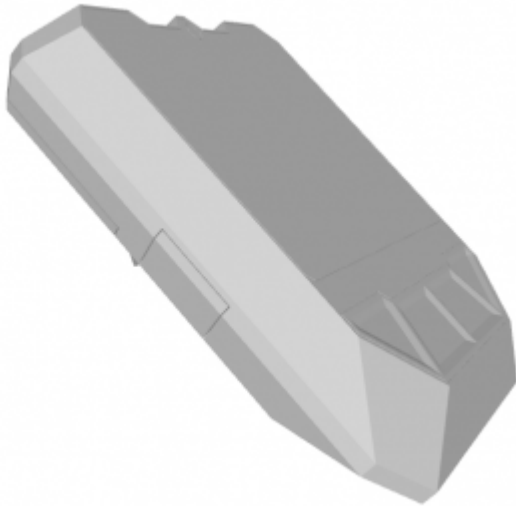


[Small size mount STEP+STL](#)



## Display v11

nucular\_display\_simple.zip

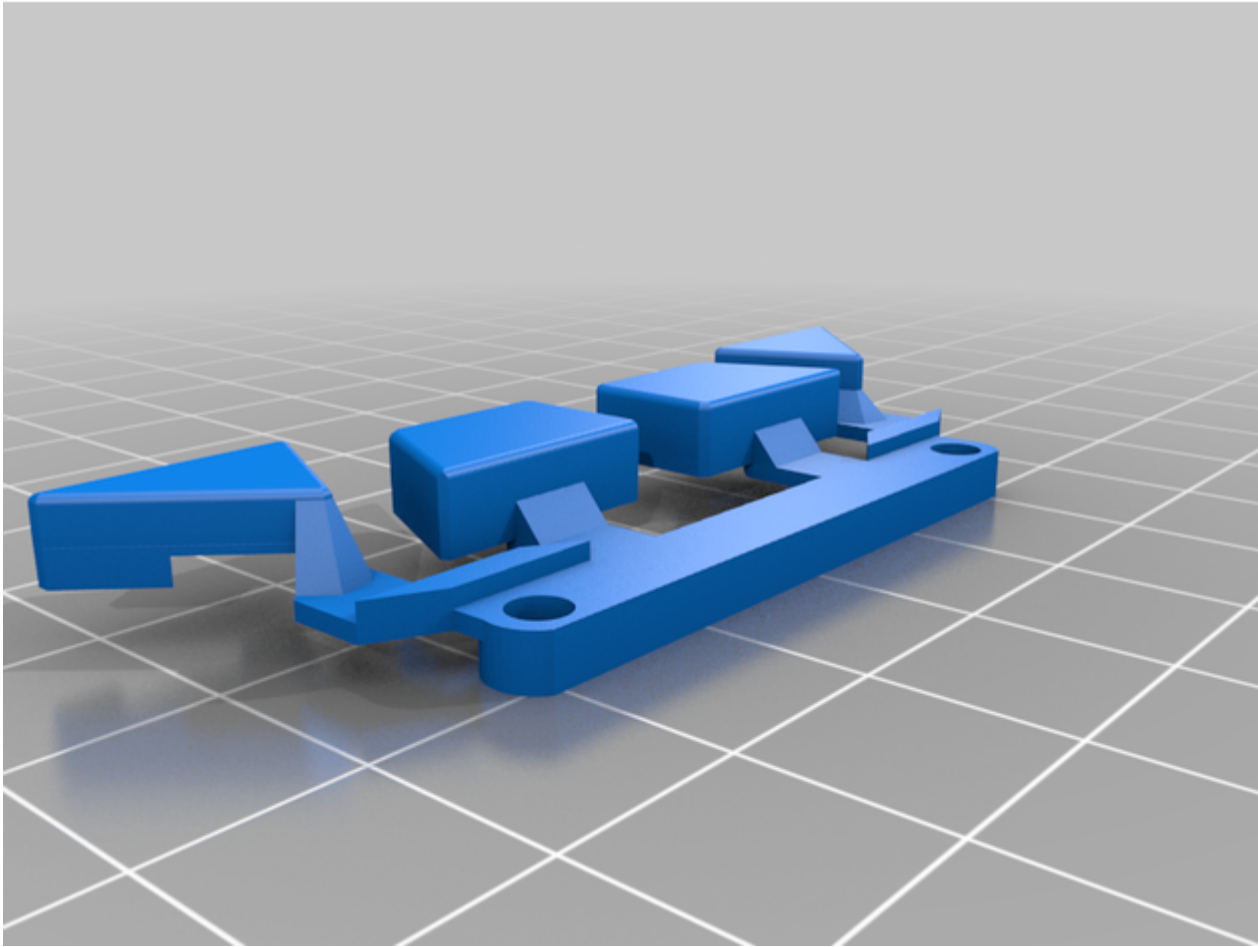


---

## Display v10 button pusher

[External Link](#)

button\_pusher10.2.step.zip



## User-made models

**uLight box for Sur-Ron**

[External Link](#)



---

**Nucular controller P24F mount Sur-Ron Ultra**

[External Link](#)



---

**Thermo Nucular 24F Controller Simple drawing**

[External Link](#)



---

**Sur-ron Nucular controller (NUC 24f) mount V2**

[External Link](#)



---

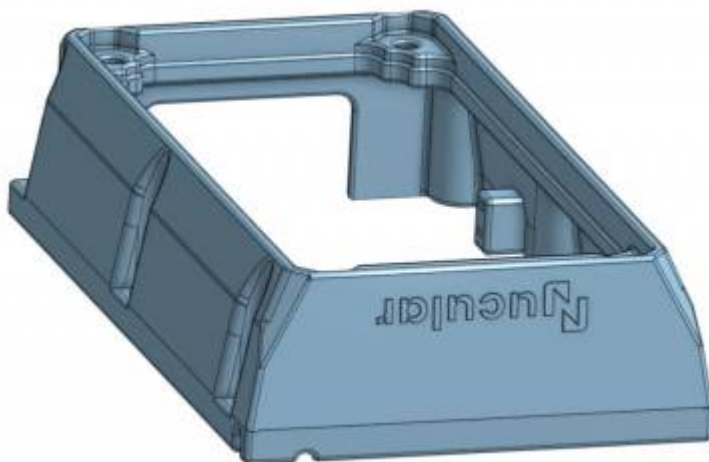
**Encoder adapter to SurRon LB**

[External Link](#)



**Nucular P24F Surface Mount for Vortex frame**

[External Link](#)



From:

<https://docs.nucular.tech/> - **Nucular Electronics**

Permanent link:

<https://docs.nucular.tech/doku.php?id=en:cadmodels&rev=1718616457>

Last update: **2024/06/17 11:27**